

HOOVER SOCCER CLUB

2024-2025 Programs & Pathways





Our Mission

FOR THE LOVE OF THE BEAUTIFUL GAME

Our mission at Hoover Soccer Club (HSC) is to provide a place, program, and environment for each participant to fulfill their soccer goals and expectations. Here at HSC, we believe that the pursuit of excellence in the area of soccer, teamed with academics and strong family values, helps develop maturity and self-confidence. We believe that the experiences a player has with HSC will be beneficial throughout his or her lifetime.





What We Offer

PROGRAMS AT A GLANCE

Staying true to our mission, HSC offers a variety of programs and player pathways to fulfill the goals and expectations of each player and their family. These offerings fall into three main parent programs where we strive to offer the premier experience in the area while fulfilling the overall goals of each. In all our programs, we strive to give more for less when comparing to other options in the area.

HSC Recreational Programs

- Consists of programs designed to maximize fun, teach players the basics, and help them develop a life-long love of the game
- Includes grassroots program that is the biggest feeder of other HSC programs.
- Facilitated by volunteer coaches under the direction and leadership of our staff of Directors
- Additional bridge program available to help facilitate grassroots players into the appropriate pathway (Phantoms Foundation Program)

HSC Competitive Programs

- Consists of programs dedicated to the complete development of the competitive soccer player
- Offers the best value with more sessions at a lesser cost than all other local comparable programs – all U10 and older teams train 3 times per week
- Incorporation of dedicated Technical, Agility, and Goalkeeper training into curriculum
- Annual feedback and evaluations for all ages for feedback and improvement
- Option for older teams to compete for Alabama State Cup Championship paid for by the club

HVS Competitive Programs

- Consists of programs created to provide the highest levels of competition across premier regional and national leagues
- Provides resources and opportunities to expose players to opportunities in soccer after high school graduation
- Opportunity to compete at the highest youth levels in the country
- Cooperation of sister clubs Hoover Soccer Club and Vestavia Hills Soccer Club along with area affiliates creates strength in numbers
- Specialized training for goalkeepers
- MLS Next option that practices 4 times per week and plays as a team year-round



Hoover Soccer Club – By the Numbers

RECREATIONAL PATHWAY

The HSC Recreational Program has grown by nearly 90% over the span of the last 8 years. With a renewed focus on organization, communication, and volunteer support, our Recreational Program has become the largest one of its kind serving a single area in the state of Alabama.



Future Phantoms

Average number of players in the U4-U8 age range making up 70+ teams every fall and spring season



HSC Rec Program

Average number of players in the U9-U19 age range making up 20+ teams every fall and spring season



High School Age Players

Providing a soccer opportunity for players not playing high school during the spring season



Total Recreational Players

Our recreational program registers over 1000 players across all ages both fall and spring seasons



Hoover Soccer Club – By the Numbers

COMPETITIVE PATHWAY

The HSC Competitive Program has seen a steady increase as our grassroots program has continued to grow. HSC takes pride in producing and developing our competitive players in-house by staying dedicated to the complete development and pathways for all players in the program. HSC also continues to put more and more players into HVS programs each season.



Junior Phantoms

Number of players in the U8-U12 Junior Phantoms program with 20+ teams in our developmental league



Total Competitive Program

Average number of players that make up the competitive program for a fall and spring seasonal year



HVS Players

Each year, players from the HSC pathway join our sister club to participate at the highest competitive levels



Total HSC Players

The total number of players that make their way through the HSC development pathway each year



Meet the Directors

DEDICATED & EXPERIENCED LEADERSHIP



TOMAS FOX

Executive Director

17 Years with HSC
National Advanced
Diploma
AFA Pro License
USSF-B License
20 years as youth coach



PAUL WELCH

Director of Coaching

23 Years with HSC
USSF C-License Coach
24 years as youth coach



MISA ESPINOZA

Junior Phantoms Director

7 Years with HSC
USSF D-License Coach
7 years as youth coach



MICHAEL HARRIS

Recreational Director

8 Years with HSC
USSF C-License Coach
10 years as youth coach



OLEG SINENIKOV

Technical Director

12 Years with HSC
USSF A-License Coach
US Soccer Curriculum
Developer
12 years as youth coach

Hoover Soccer Club Player Pathways

PROGRAMS & LEAGUES



HSC Recreational Programs

HSC Competitive Programs

HVS Premier Competitive Programs

JUNIOR PHANTOMS: AGES U8-U9

Developmental program

Focus on player development and learning in a competitive environment and league

JUNIOR PHANTOMS II: AGES U10-U12

Competitive developmental program

Continued player development with enhanced focus on competitive level and pathway

HSC COMPETITIVE: AGES U13-U19

State level competitive program

Teams competing at the highest level of competition within the state of Alabama

FUTURE PHANTOMS: AGES U4-U8

Introduction to the game and grassroots development

One of the largest programs in Alabama introducing and growing a love for the game of soccer at the youngest ages

RECREATIONAL PROGRAM: AGES U9-U19

Recreational program

Program designed to maximize fun and develop a life-long love of the game

HVS PRE-MLS/PRE-DPL: AGES U11-U12

Premier development program

Continued player development with enhanced focus on competitive level and pathway

HVS COMPETITIVE: AGES U13-U19

Premier competitive program

Teams competing at the highest level of competition regionally and nationally

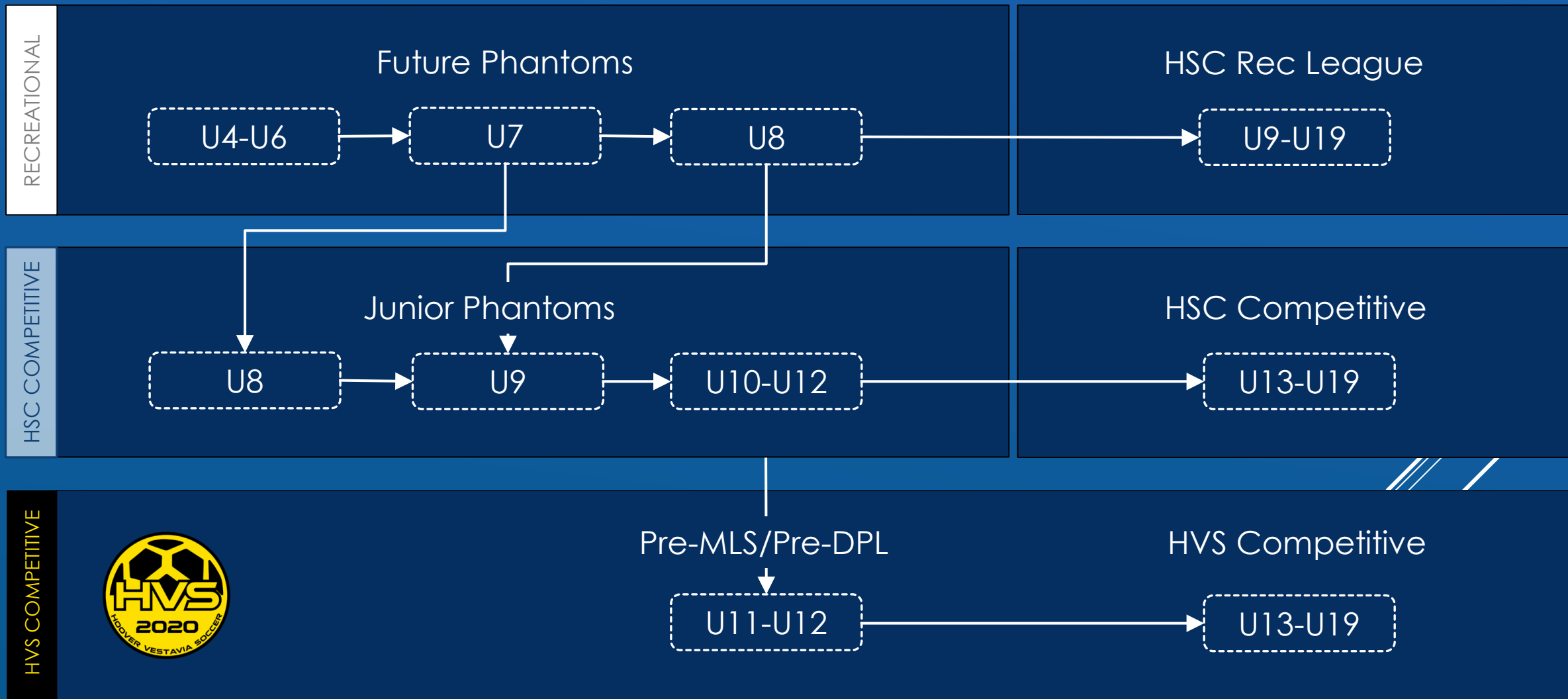
COLLEGE | SEMI PROFESSIONAL | PROFESSIONAL





Hoover Soccer Club Player Pathways

PROGRAM BY AGE GROUP



Hoover Soccer Club Player Pathways

LEAGUE INFORMATION



RECREATIONAL

Future Phantoms League

HSC intramural league for the U4-U8 Future Phantoms Program. Teams play games on Saturdays within their age group against other HSC Future Phantoms teams.

<https://www.hooversoccerclub.com/recreational/future-phantoms/>

<https://www.hooversoccerclub.com/recreational/future-phantoms/>

Alabama Futures League

Area league for our U9-U19 Recreational Program. Clubs in the greater Birmingham area create a fun and organized grassroots level soccer community for players of all abilities to play and enjoy the game.

<https://www.alsoccer.org/overview/>



HSC COMPETITIVE

Developmental League (D-League)

Local league for the HSC U8-U12 Junior Phantoms Program. Teams compete at various levels with a focus on player development and retention. The D-League was created to provide appropriate competition without traveling outside the greater Birmingham area.

<https://www.alsoccer.org/d-league/>

Alabama State League (ASL)

Statewide league for the HSC U13-U19 Competitive Program as well as U11 HVS Pre-MLS/Pre-DPL Programs. Teams compete at various levels against clubs across the state of Alabama. The ASL gives teams the opportunity to compete for a championship each year via the State Cup Tournament.

<https://www.alsoccer.org/alabama-state-league/>



Hoover Soccer Club Player Pathways

LEAGUE INFORMATION



Alabama State League (ASL)

Statewide league for the U11 HVS Pre-MLS/Pre-DPL Programs. Teams compete at the highest level across in the state of Alabama.

<https://www.alsoccer.org/alabama-state-league/>



Southeastern Clubs Champions League (SCCL)

Regional league for U12-U19 HVS teams. The SCCL was formed in 2018 by clubs searching for a better way to offer youth soccer programming for the serious player.

<https://southeasternccl.com/about/>



National Academy League (NAL)

National league for U13-U19 HVS teams. The NAL provides a national platform for top players who wish to compete against premier competition both regionally and nationally.

<https://www.nationalacademyleague.com/>



MLS Next

National league for the premier HVS U13-U19 teams. MLS NEXT provides the best player development experience in North America. Founded on a collaborative approach to governance and a commitment to innovation, MLS NEXT players have access to the highest levels of competition and to training to prepare them for their futures, both in soccer and in life.

<https://www.mlssoccer.com/mlsnext/about/>



Development Player League (DPL)

Regional league specifically for HVS girls teams. The DPL offers girls teams the opportunity to compete at a premier level against other clubs looking to develop their girls programs to the highest standards.

<https://dpleague.org/about/>



HVS COMPETITIVE

Hoover Soccer Club Player Programs

GRASSROOTS





Hoover Soccer Club Player Programs

GRASSROOTS

FUTURE PHANTOMS PROGRAM

Ages U4-U8

- Introduction to soccer for U4-U8 ages
- Introduce basic soccer concepts and foster a love for the game
- Separate Fall and Spring seasons and registration
- Approximate 10-week season
- Volunteer parent coaches
- HSC staff guidance and assistance for volunteer coaches
- Focus on fun & fundamentals
- Practice one time per week
- Intramural games within program
- All practices and games at local HSC facilities

PHANTOMS FOUNDATION PROGRAM

Ages U7-U8

- Additional development option for U7 and U8 ages
- Provides a bridge between our Grassroots Future Phantoms program and our Competitive Junior Phantoms program
- Additional training session per week for 6 weeks
- Sessions facilitated by HSC staff coaches and directors
- Introduction to more structured training environment and curriculum
- Focus on age-appropriate fundamentals
- Introduction to next 7v7 stage of the game
- Instill a love of the game via focus on learning and development

GRASSROOTS

DEVELOPMENTAL

COMPETITIVE

RECREATIONAL

Hoover Soccer Club Player Programs

DEVELOPMENTAL



Hoover Soccer Club Player Programs

DEVELOPMENTAL



JUNIOR PHANTOMS

Ages U8-U9

- Entry level competitive program with primary focus on player development
- Experienced staff coaching
- Age-appropriate curriculum
- Team training 2 times per week
- Additional technical, speed, and agility training available
- Participation in local D-League
- Local tournament participation



JUNIOR PHANTOMS II

Ages U10-U12

- Continued focus on player development with emphasis on tactical and competitive awareness
- Increase to 3 team training sessions per week
- Integration of more advanced technical, speed, and agility topics
- Participation in local D-League or Alabama State League
- Local and possible regional tournament participation



HVS PRE-MLS/PRE-DPL

Ages U11-U12

- Premier player development program with our sister club Hoover-Vestavia Soccer
- Advanced development environment with greater emphasis on tactical and competitive awareness
- Training sessions 3 times per week
- Participation in Alabama State League at U11 and Regional SSCL league at U12
- Local and regional tournament participation



GRASSROOTS

DEVELOPMENTAL

COMPETITIVE

RECREATIONAL

Hoover Soccer Club Player Programs

COMPETITIVE



Hoover Soccer Club Player Programs

COMPETITIVE



HSC COMPETITIVE PROGRAM

Ages U13-U19

- Competitive program with teams competing at all levels within the state
- Talent development and player identification
- Division I and II Alabama State League
- State Cup Championship participation
- **U13-U14:** Full year with Fall and Spring seasons
- **U15-U19:** Fall season only (due to spring school soccer)
- Some travel required with mostly in-state and some tournaments
- Exposure to collegiate recruiters

HVS PREMIER COMPETITIVE PROGRAM

Ages U13-U19

- Competitive program with teams competing at the highest levels regionally and nationally
- Elite player and talent development
- Highest level of competitive leagues available in US Soccer
- **Boys:** MLS Next & Next 2/NAL leagues
- **Girls:** Development Player League
- Regional and state travel required
- Maximum exposure to collegiate and professional recruiters



GRASSROOTS

DEVELOPMENTAL

COMPETITIVE

RECREATIONAL

Hoover Soccer Club Player Programs

RECREATIONAL



Hoover Soccer Club Player Programs

RECREATIONAL



FUTURE PHANTOMS PROGRAM

Ages U4-U8

- Introduction to soccer for U4-U8 ages
- Introduce basic soccer concepts and foster a love for the game
- Separate Fall and Spring seasons and registration
- Approximate 10-week season
- Volunteer parent coaches
- HSC staff guidance and assistance for volunteer coaches
- Focus on fun & fundamentals
- Practice one time per week
- Intramural games within program
- All practices and games at local HSC facilities

HSC RECREATIONAL PROGRAM

Ages U9-U19

- Continue a love for the game for all skill and experience levels
- Format progression based on age:
U9: 7v7 **U11-U12:** 9v9 **U13-U19:** 11v11
- Separate Fall and Spring seasons and registration
- ~10-week season
- Volunteer coaches
- Practices two times per week
- Games against other area ASA Futures League teams



GRASSROOTS

DEVELOPMENTAL

COMPETITIVE

RECREATIONAL